

4

3

2

1

D

D

C

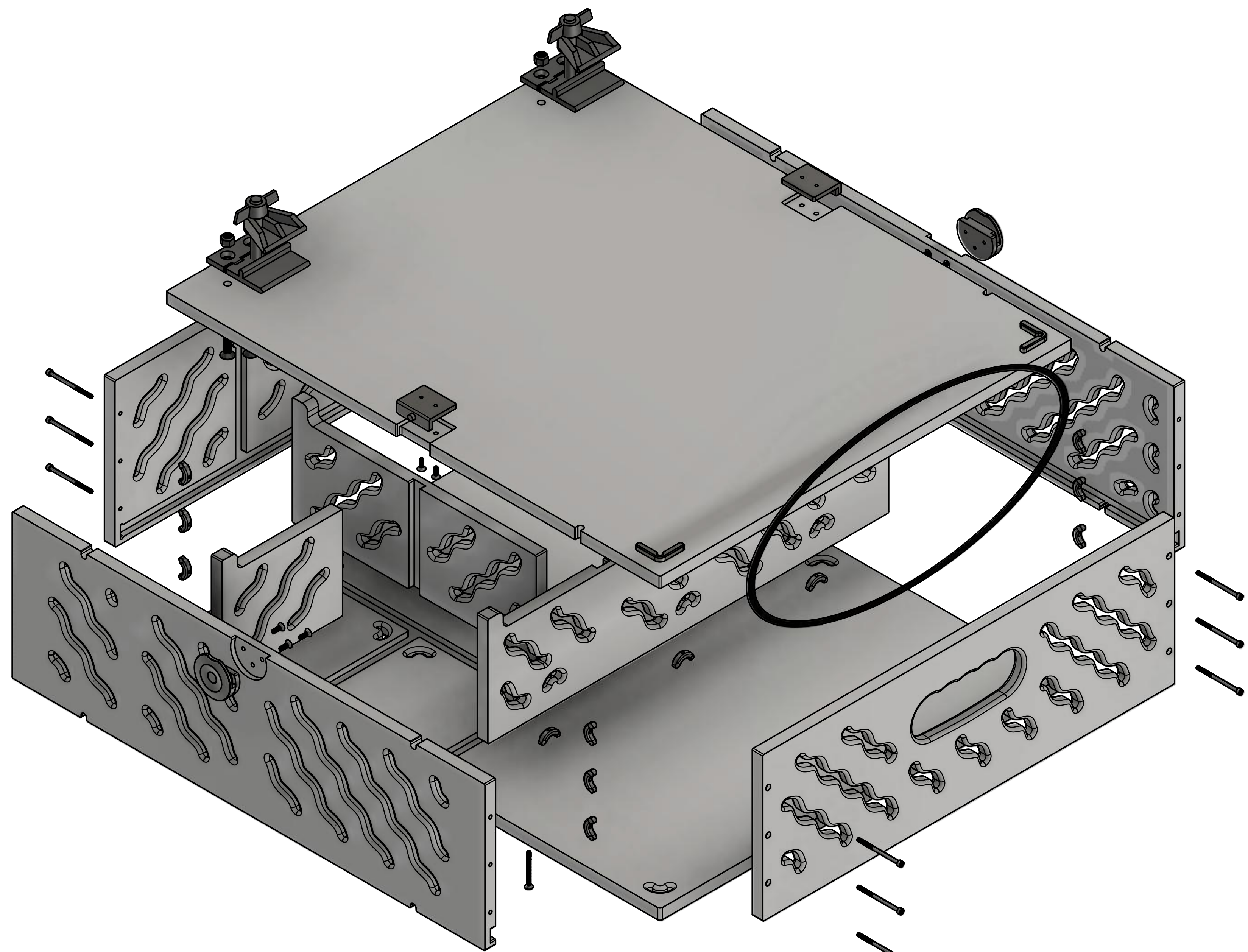
C

B

B

A

A



Building Block v2

a self contained tool to empower students through printmaking
 conceived by Oscar Cornejo and Alex Goss, 2015
 designed and manufactured by Alex Goss, 2018

4

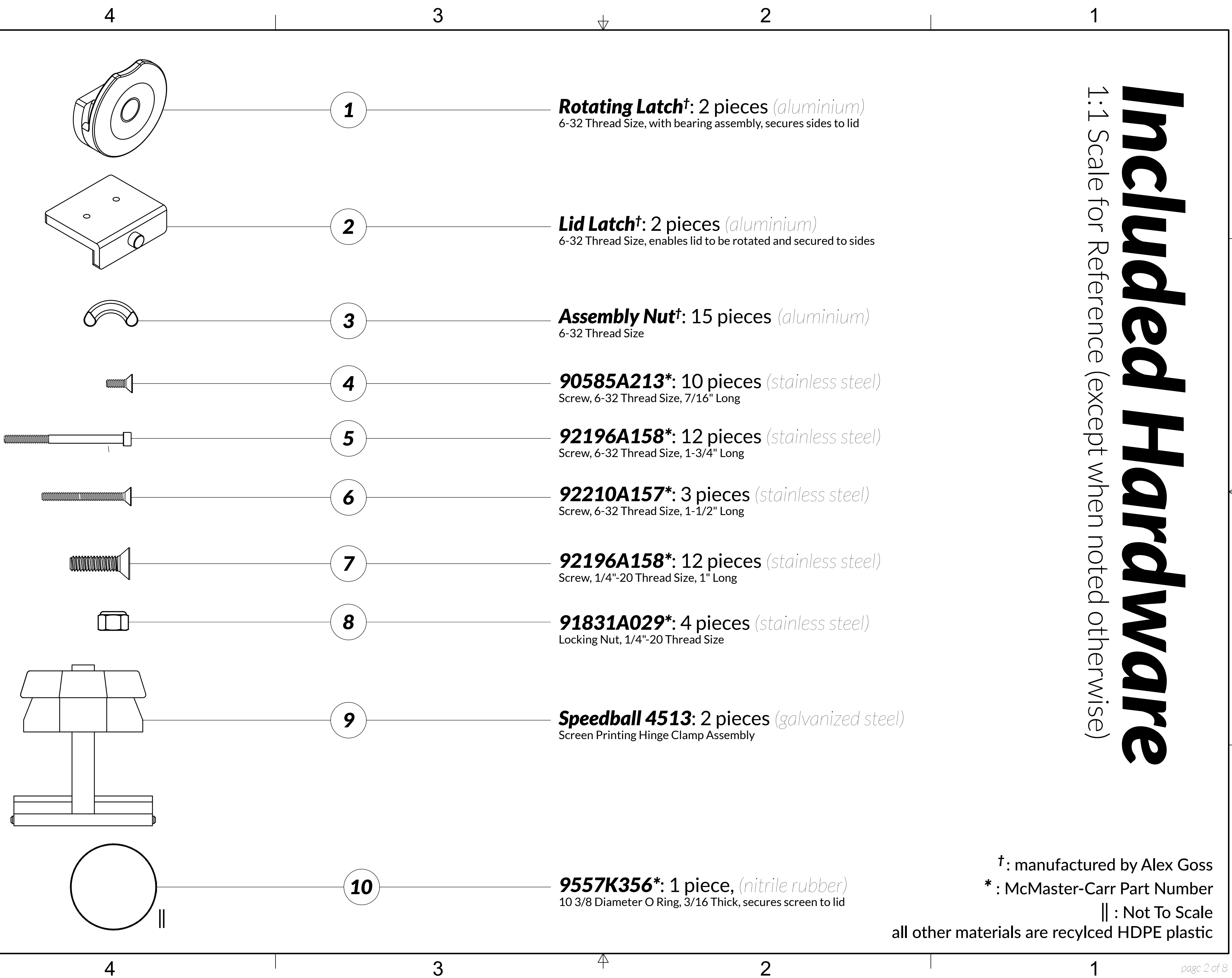
3

2

1

Included Hardware

1:1 Scale for Reference (except when noted otherwise)



1 **Rotating Latch[†]: 2 pieces** (*aluminium*)
6-32 Thread Size, with bearing assembly, secures sides to lid

2 **Lid Latch[†]: 2 pieces** (*aluminium*)
6-32 Thread Size, enables lid to be rotated and secured to sides

3 **Assembly Nut[†]: 15 pieces** (*aluminium*)
6-32 Thread Size

4 **90585A213*[†]: 10 pieces** (*stainless steel*)
Screw, 6-32 Thread Size, 7/16" Long

5 **92196A158*[†]: 12 pieces** (*stainless steel*)
Screw, 6-32 Thread Size, 1-3/4" Long

6 **92210A157*[†]: 3 pieces** (*stainless steel*)
Screw, 6-32 Thread Size, 1-1/2" Long

7 **92196A158*[†]: 12 pieces** (*stainless steel*)
Screw, 1/4"-20 Thread Size, 1" Long

8 **91831A029*[†]: 4 pieces** (*stainless steel*)
Locking Nut, 1/4"-20 Thread Size

9 **Speedball 4513: 2 pieces** (*galvanized steel*)
Screen Printing Hinge Clamp Assembly

10 **9557K356*[†]: 1 piece,** (*nitrile rubber*)
10 3/8 Diameter O Ring, 3/16 Thick, secures screen to lid

[†]: manufactured by Alex Goss
* : McMaster-Carr Part Number
|| : Not To Scale
all other materials are recycled HDPE plastic

Included Tools

needed for assembly and maintenance



TEKTON Combination Wrench
7/16"



Eklind T-Handle Hex Wrench
7/64"



Eklind T-Handle Hex Wrench
5/32"



Bondhus "L" Hex Wrench
5/64"

4

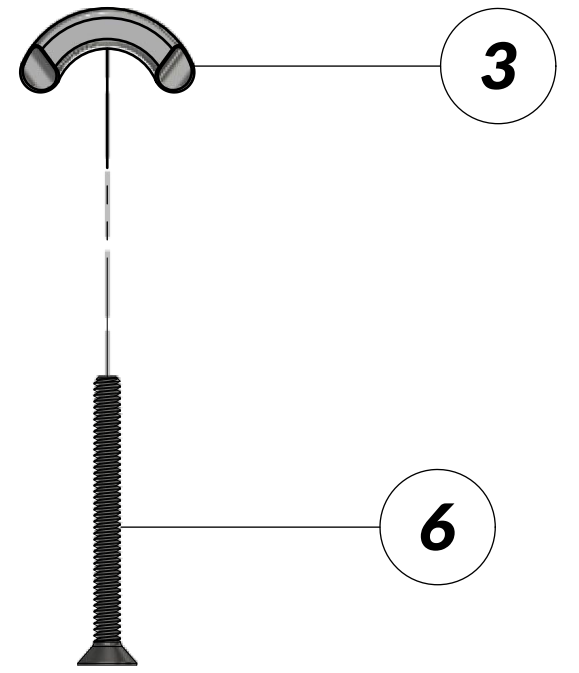
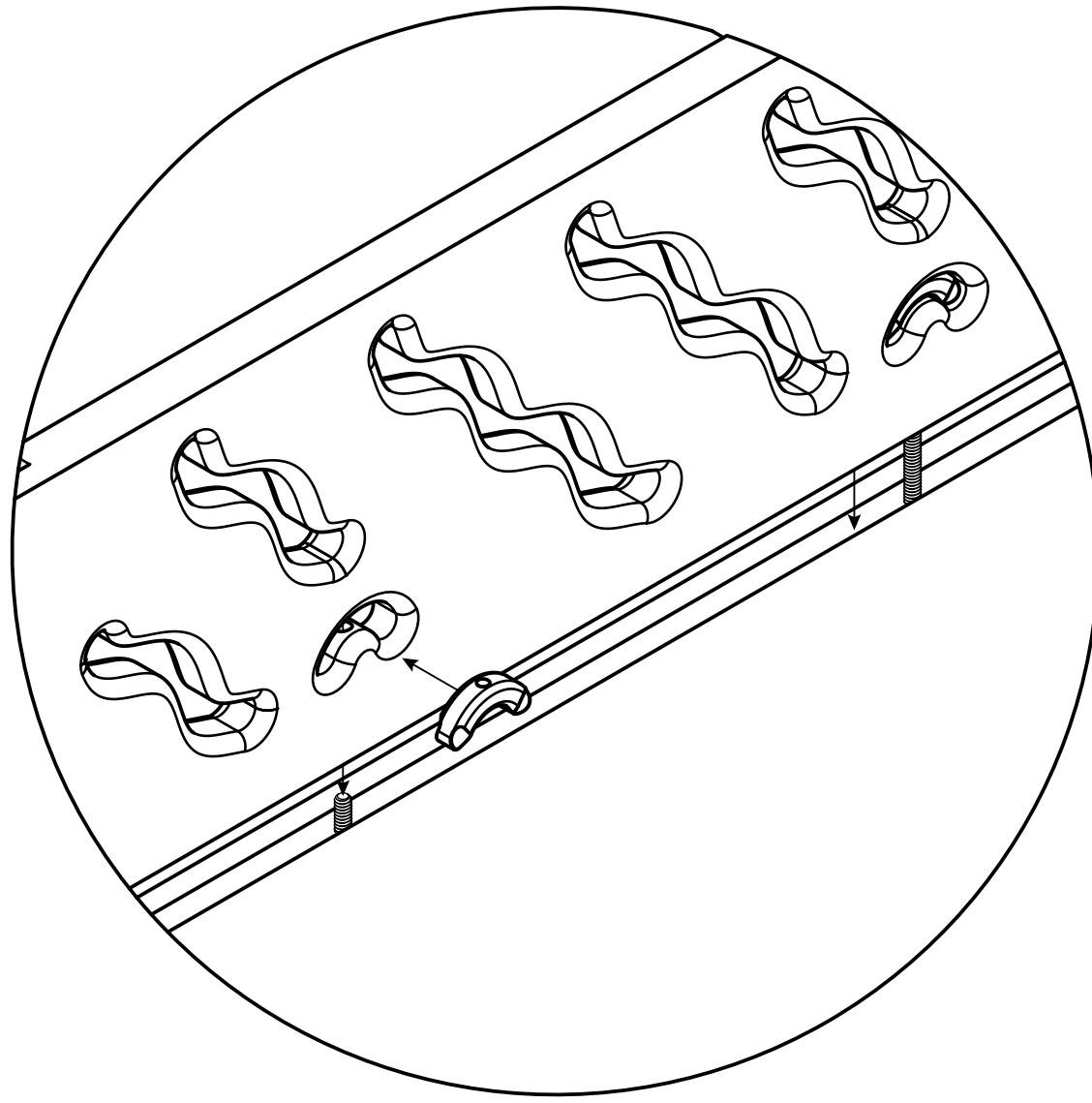
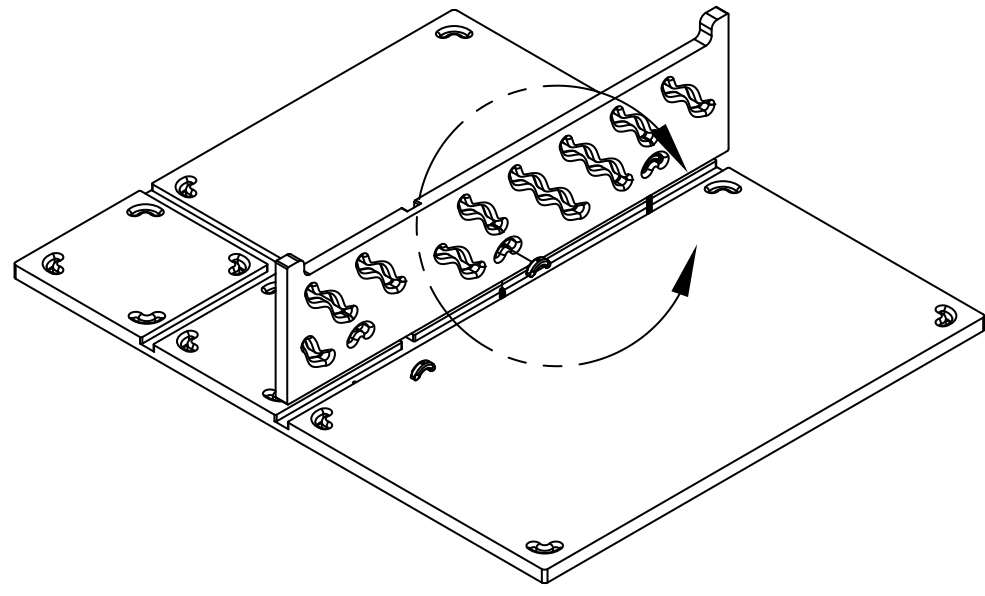
3

2

1

D

D



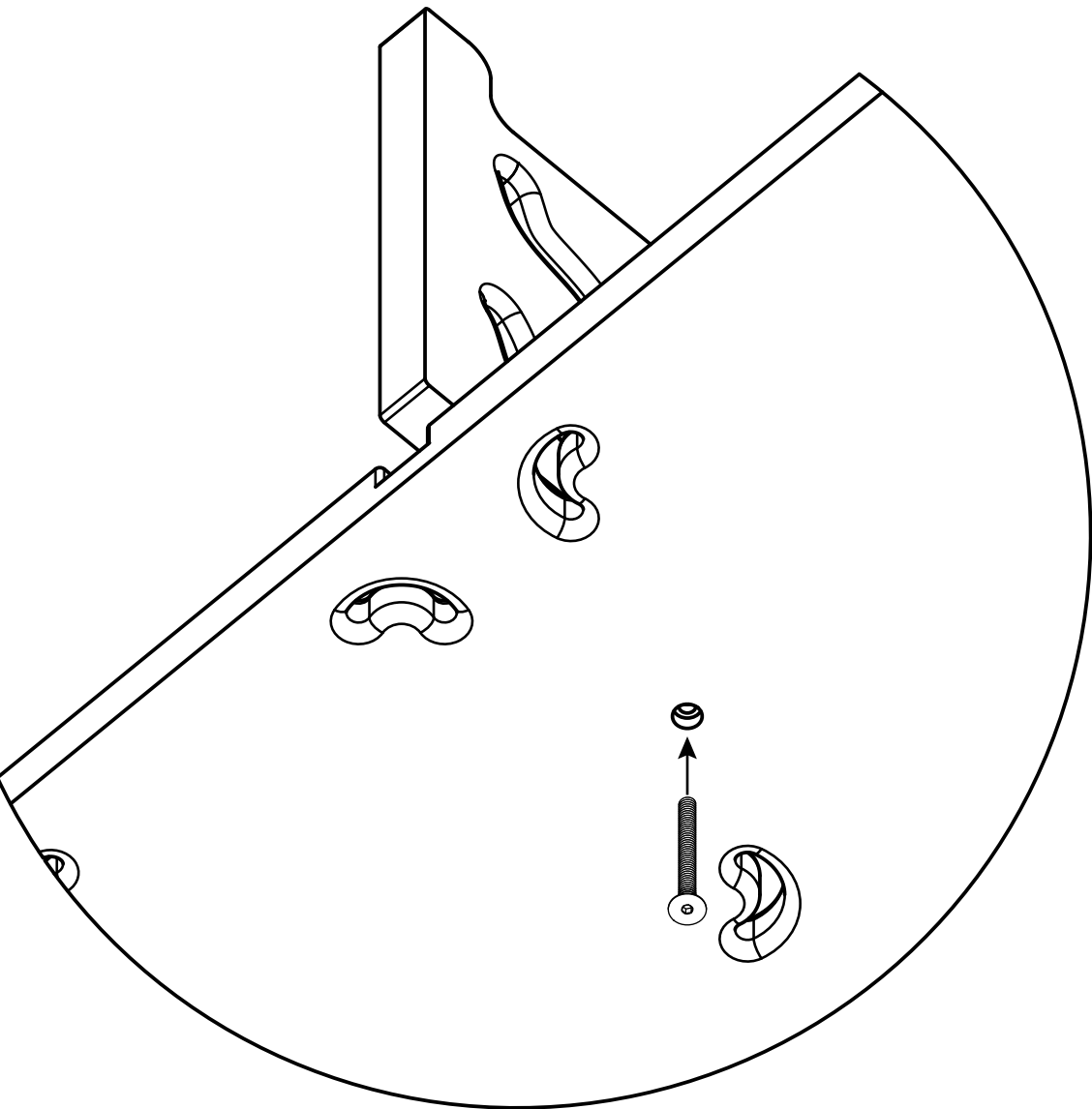
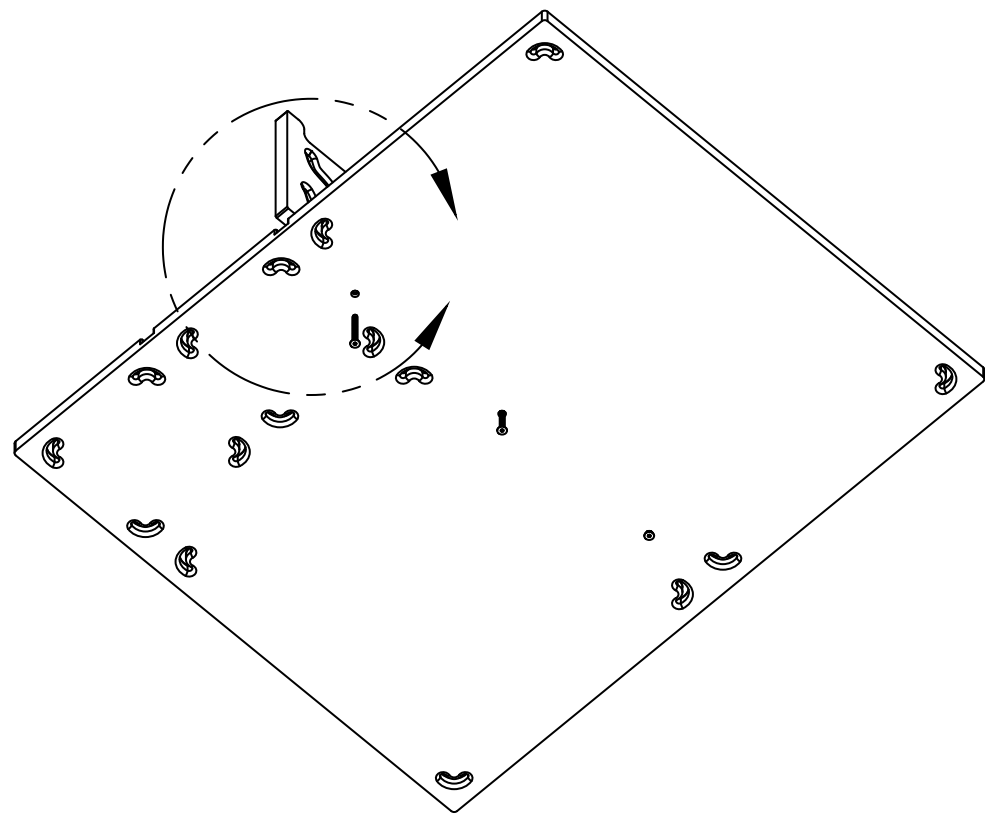
C

C



B

B



A

A

4

3

2

1

4

3

2

1

D

D

C

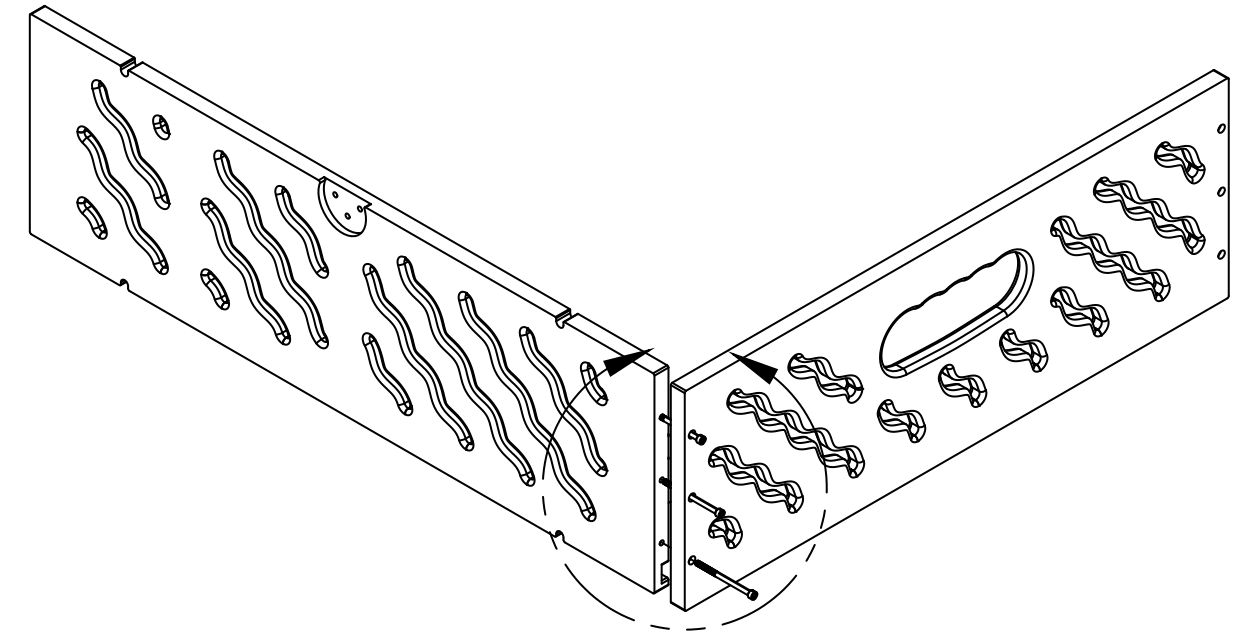
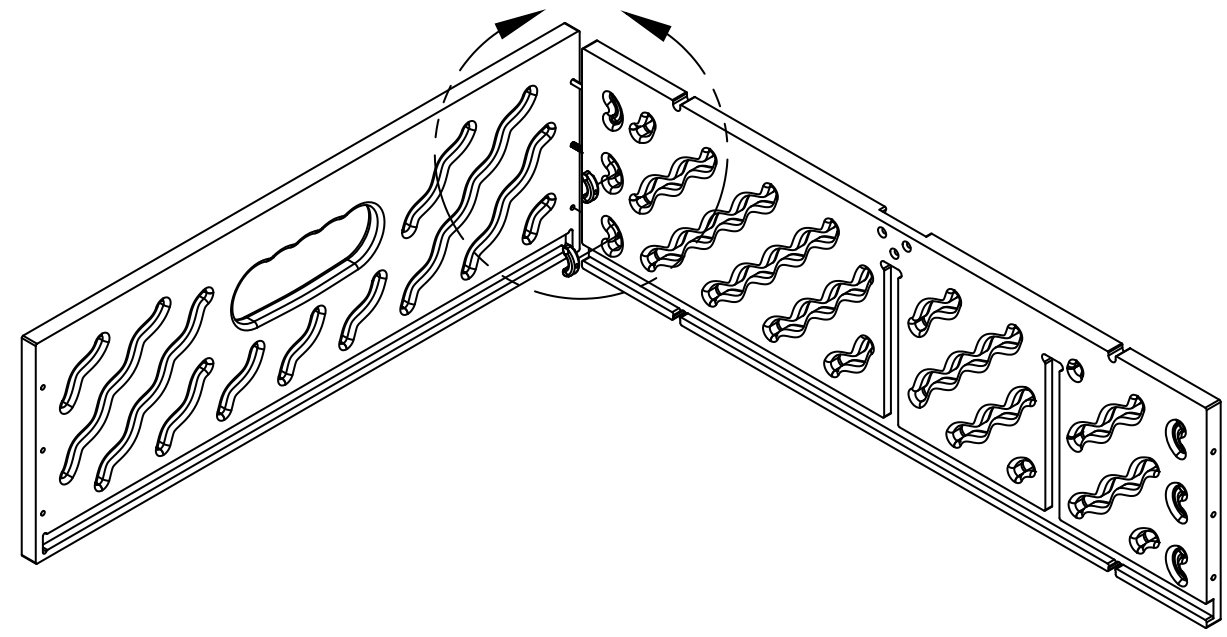
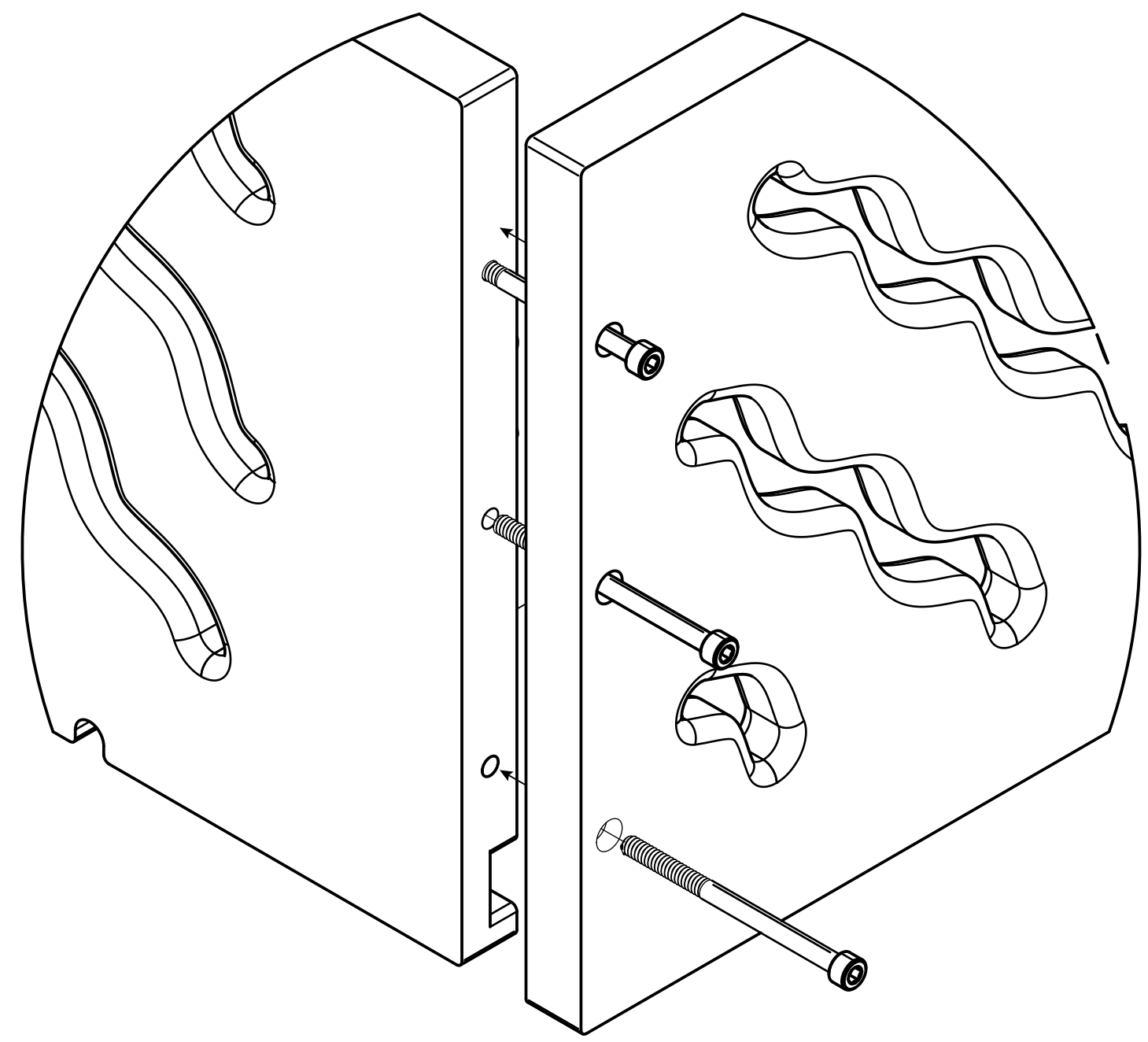
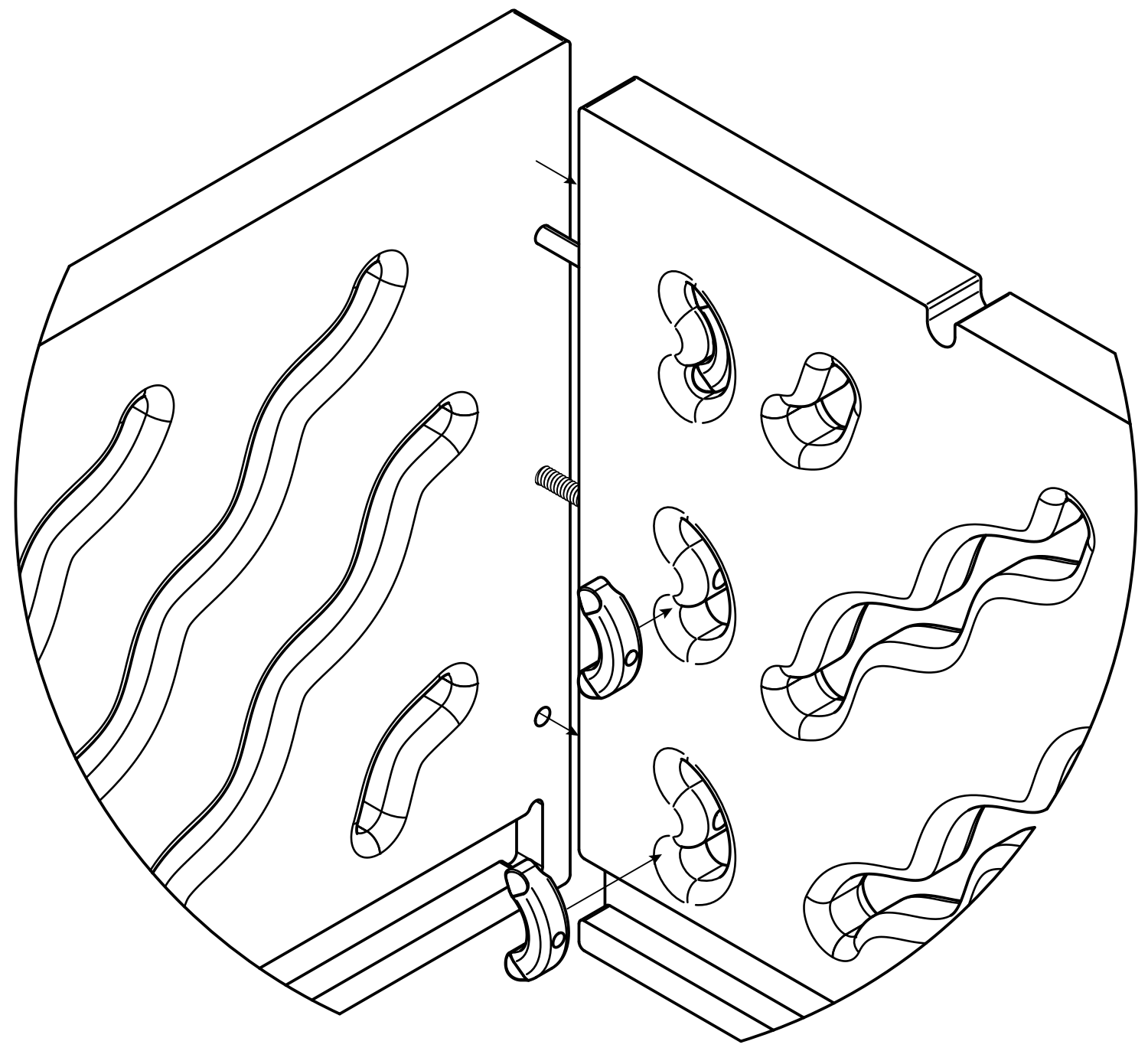
C

B

B

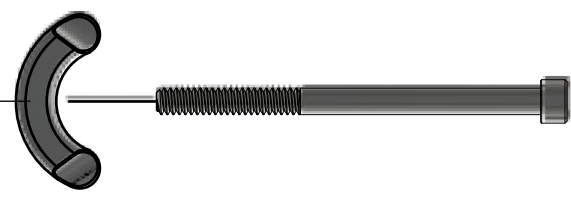
A

A



3

5



4

3

2

1

4

3

2

1

D

D

C

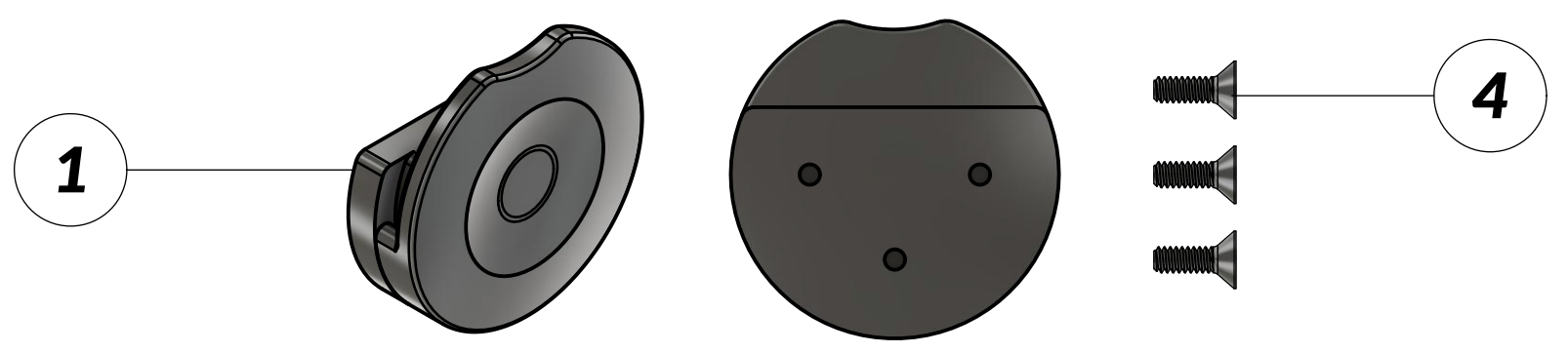
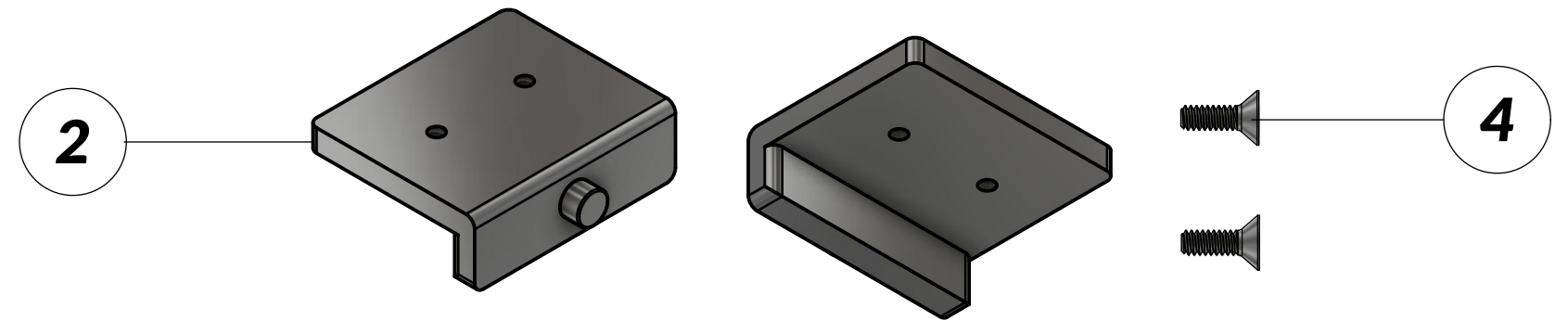
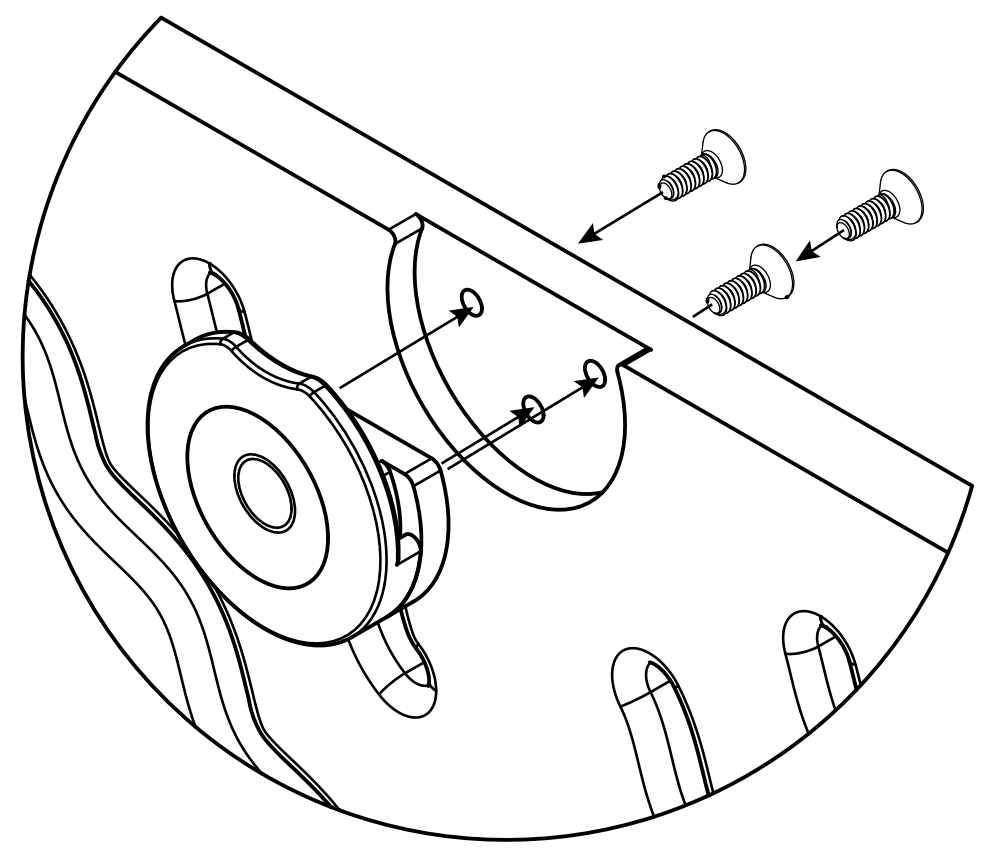
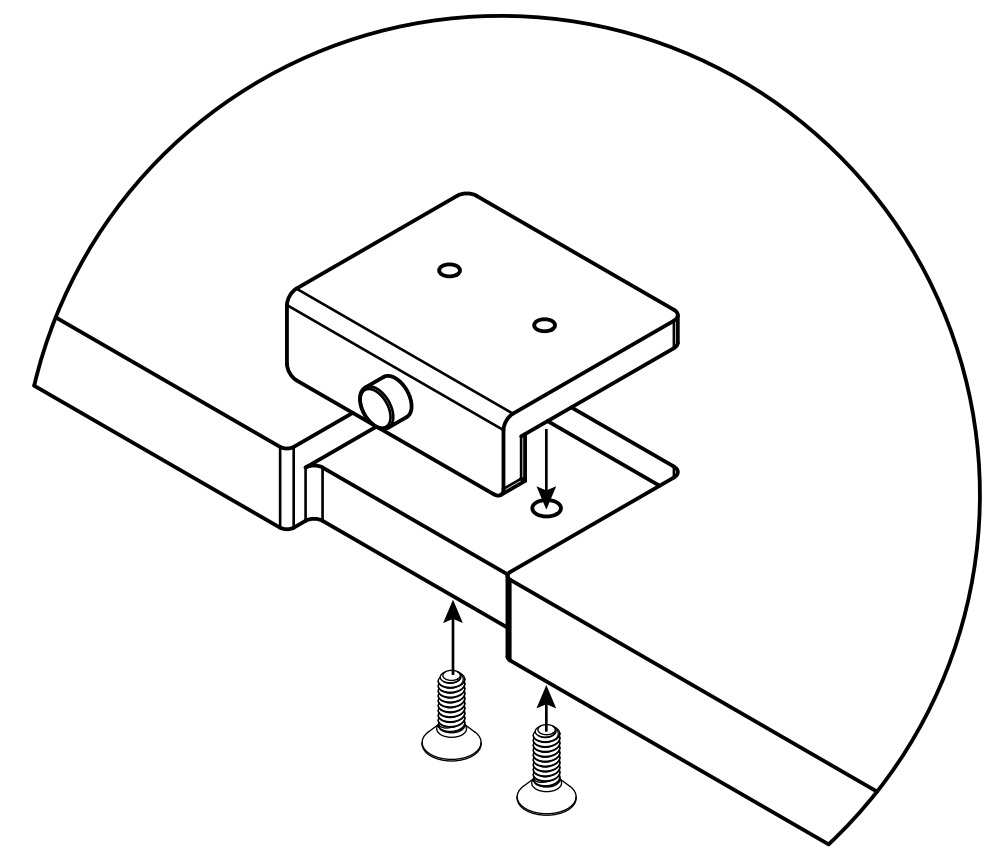
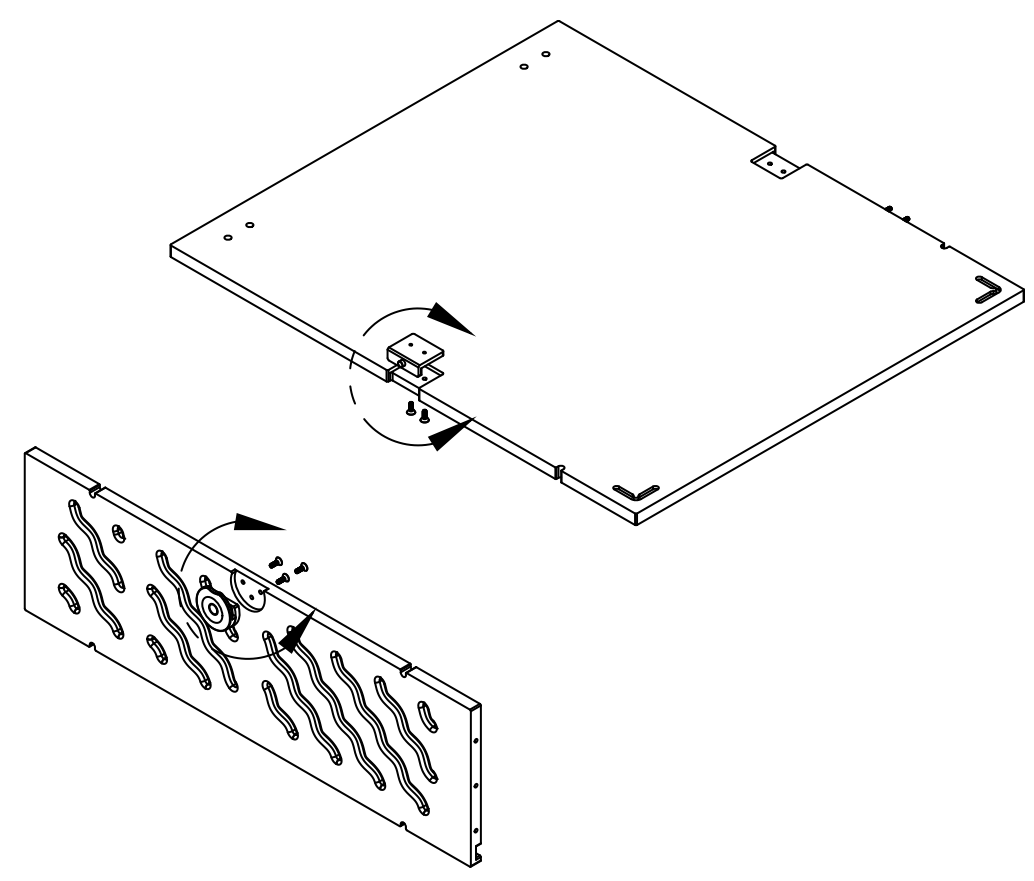
C

B

B

A

A



4

3

2

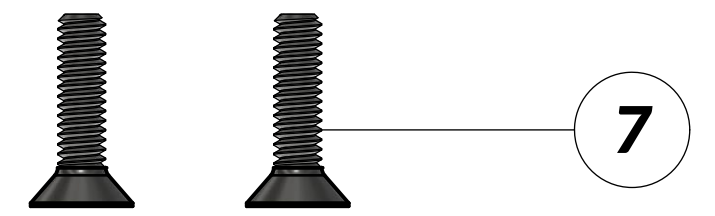
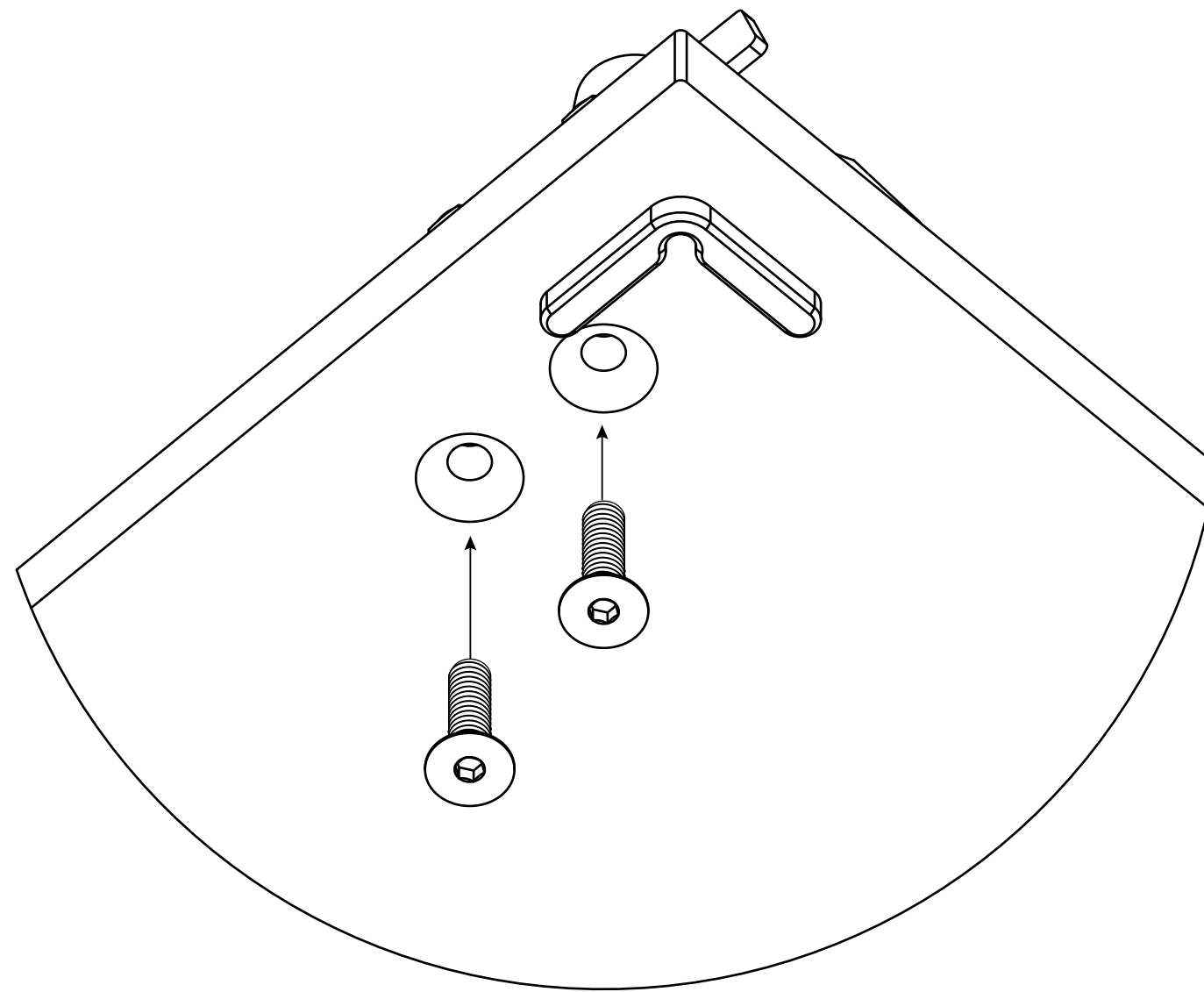
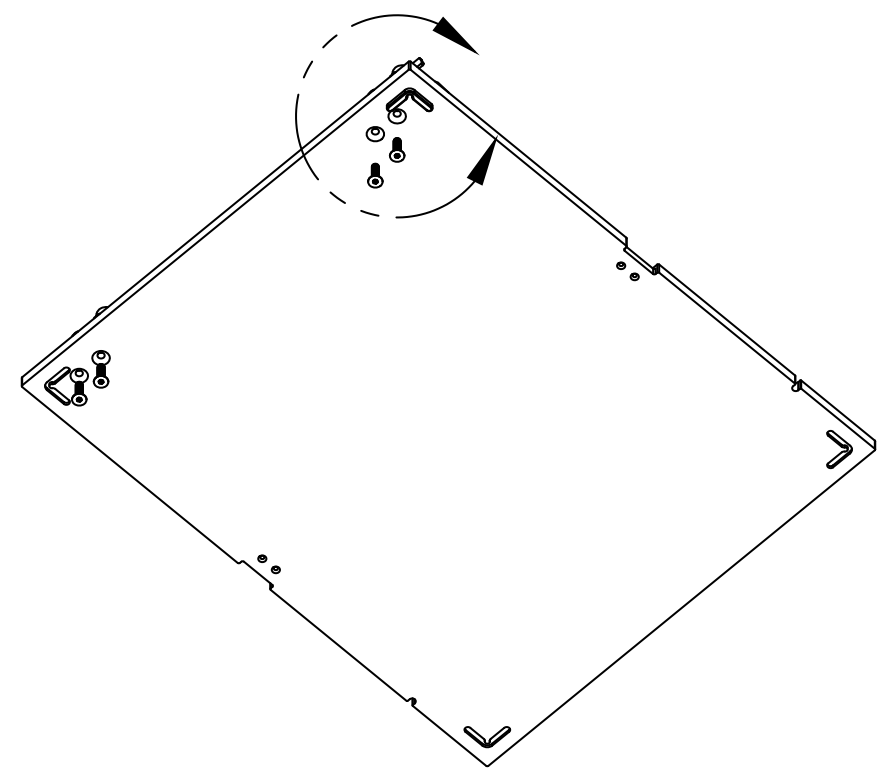
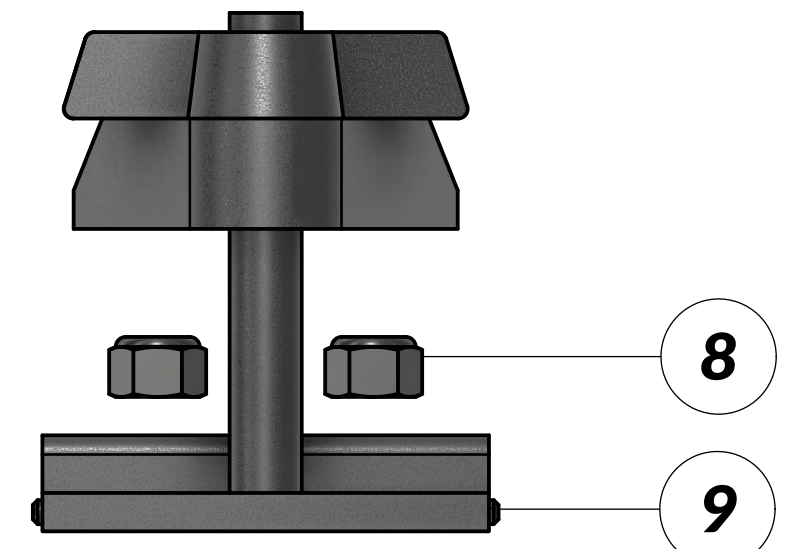
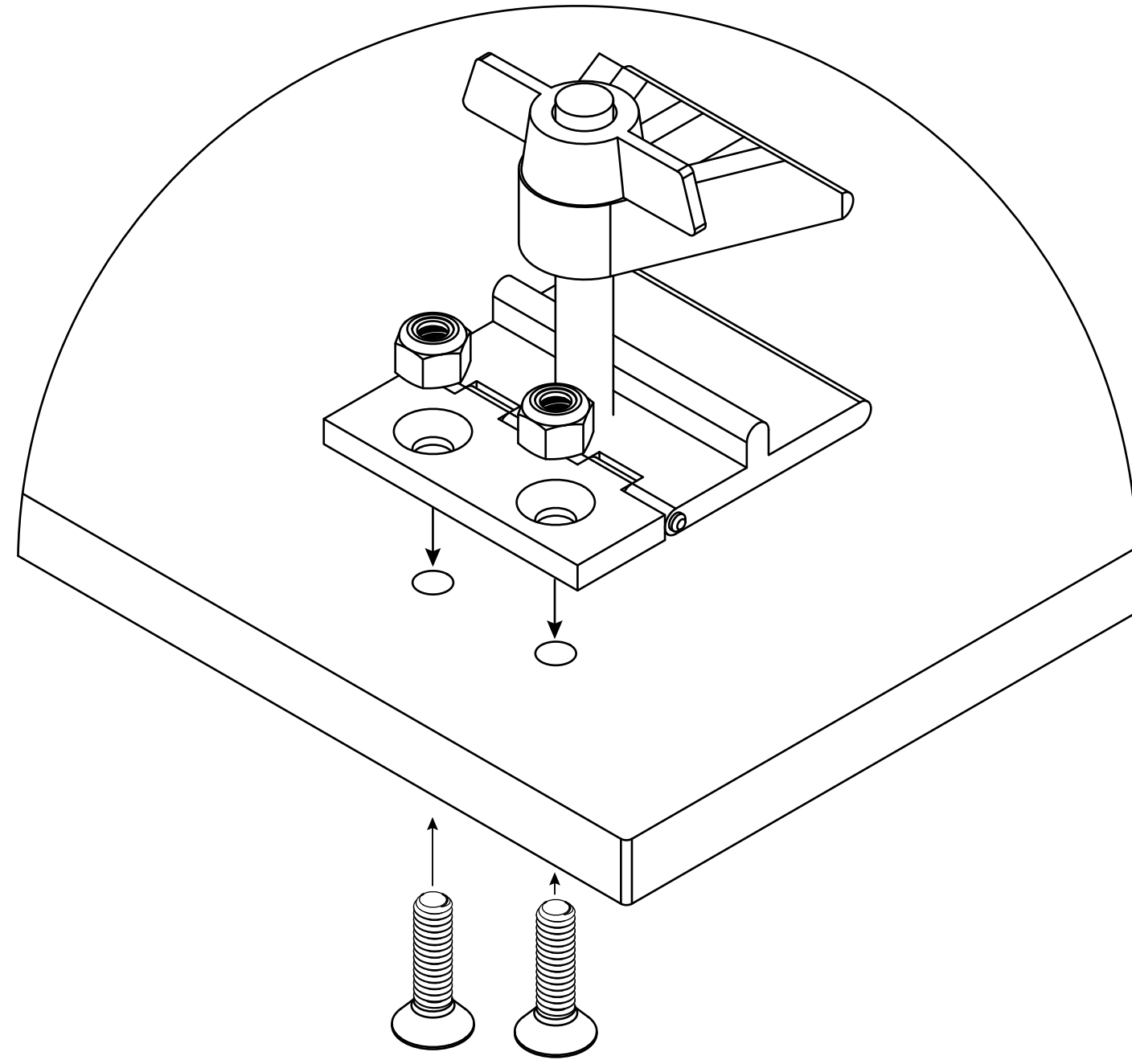
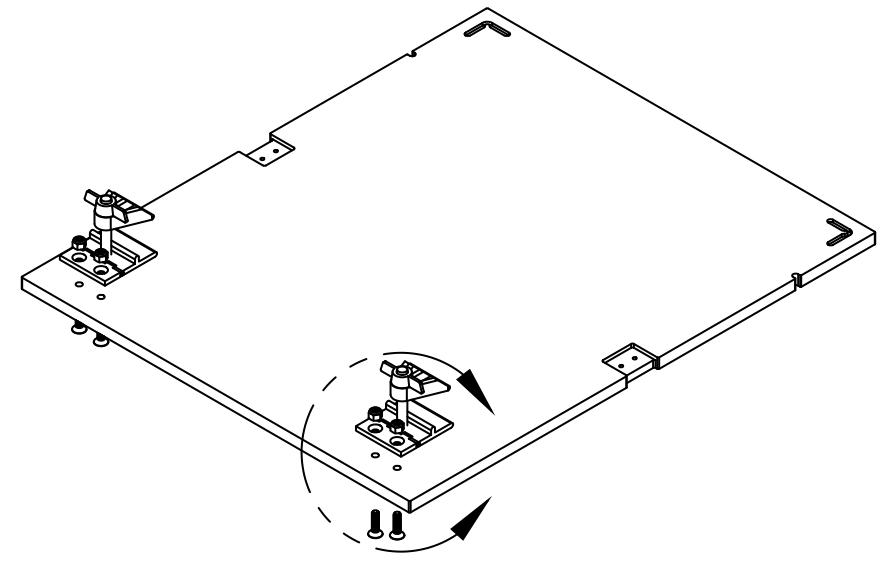
1

4

3

2

1



D

C

B

A

4

3

2

1

D

D

C

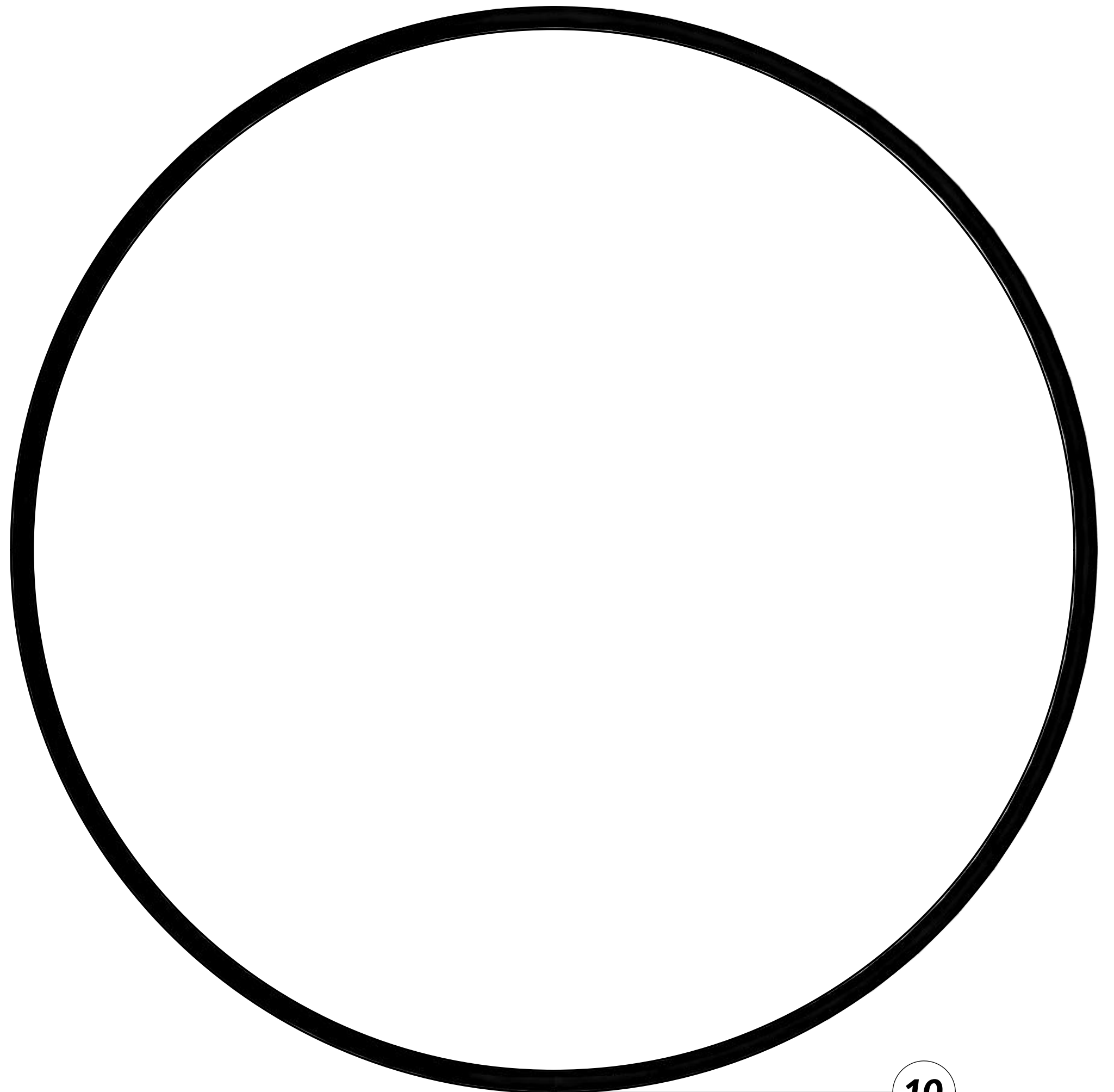
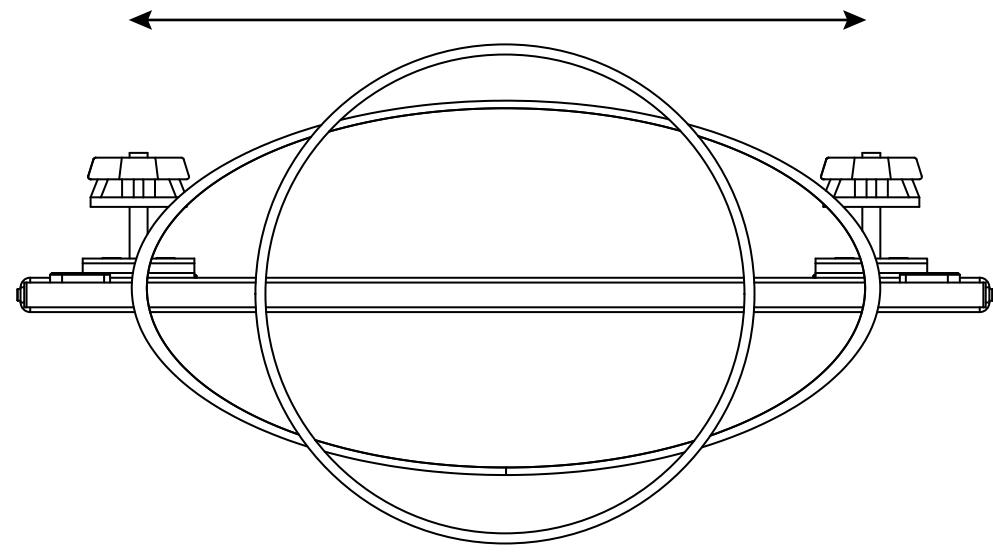
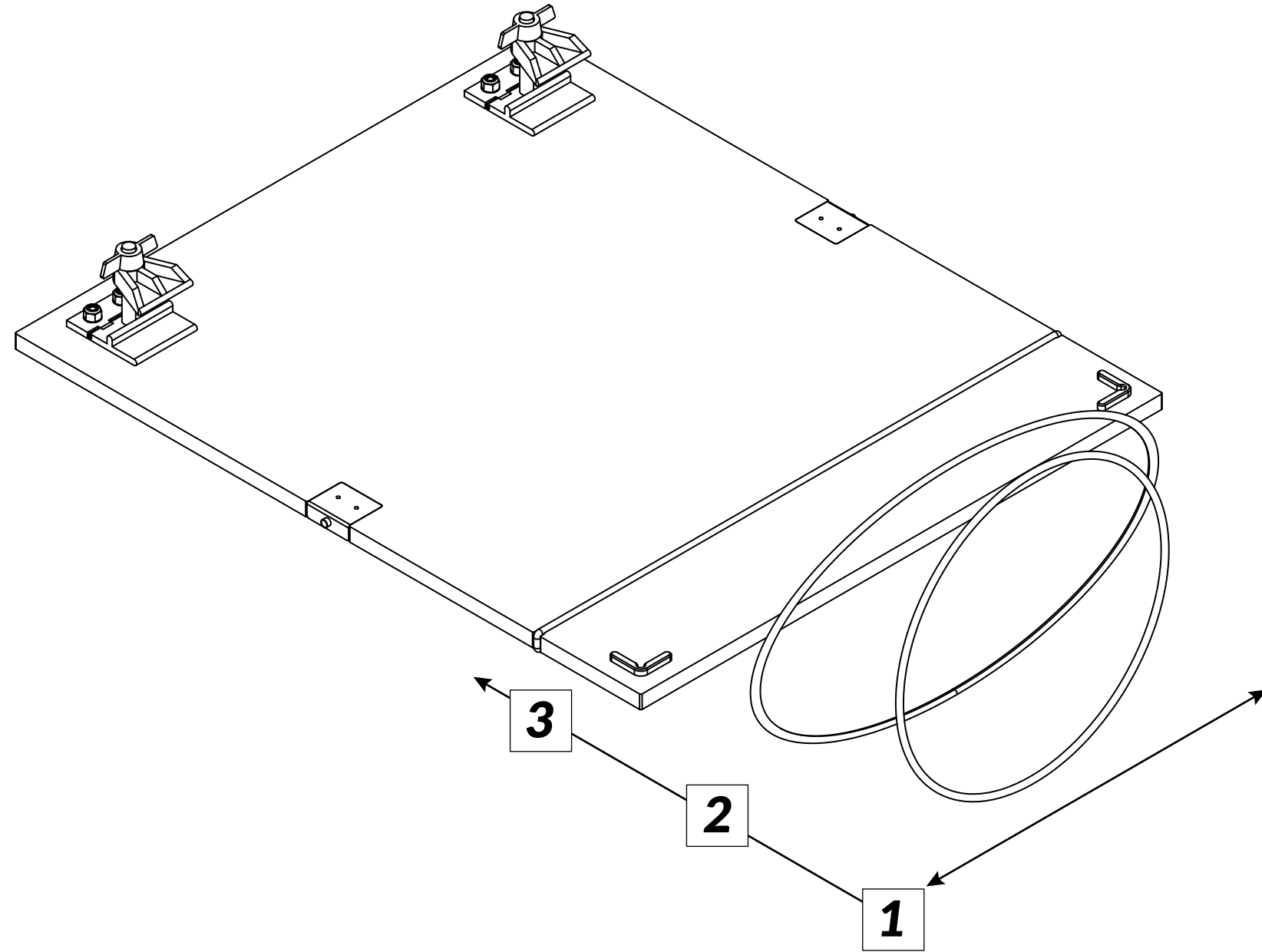
C

B

B

A

A



10

4

3

2

1